

Play tricycle

Introduction

Congratulations on the purchase of this PUKY tricycle! You have purchased a high quality product which is certain to provide much pleasure.

These instructions contain information for safe usage and care. Please read through them carefully prior to initial use and store them safely. Should any problems or questions arise, please contact your specialist dealer, or contact us via Internet: www.puky.de.

Responsibility of the parents

When using this item for its intended purpose, risks while playing are excluded to a large extent. However, please bear in mind that the natural need for movement and the temperament of children and teenagers can lead to unforeseeable situations and dangers which are excluded from the scope of the manufacturer's responsibility.

Instruct children and teenagers in the correct handling of this vehicle.

Supervise them and make them aware of any possible hazards.

Suitability

Only use the tricycle in a suitably safe area for playing or a protected environment (e.g. play park). This vehicle does not comply with the German Road Traffic Licensing Act (StVZO) and must not be used in road traffic. The permitted total load is a maximum of 25 kg.

Information for use

It is necessary to wear closed shoes. The tricycle must not be driven close to steps, sloped terrain, swimming pools and other waters. Steps in the vicinity must be suitably secured to ensure that under no circumstances are children able to ascend or descend with the tricycle.

The legal liability for material defects applies. Damages caused by inappropriate use, the effects of force, insufficient maintenance or due to normal wear and tear are excluded from the liability of material defects.

CE marking

The tricycle fulfils the requirements of the European Directive 2009/48/EC concerning the safety of toys, and therefore carries the CE marking.

Type label

The type label is attached on the underside of the rear frame. Note the information listed on the type label into the vehicle passport at the rear of these operating instructions, so you have this to hand in case of questions or spare parts being required.

Maintenance and

Check all parts even in case of normal wear (more often in case of use) and also the connections. Self-tightening screws must be loosened and must be replaced by disassembly!

In order to maintain the safety levels, all worn parts must be immediately replaced by spare parts. For safety reasons, bent or deformed parts must not be used but instead should be replaced.

Parts subject to wear

The tricycle must not be cleaned with a pressure cleaner. Clean with a mild soapy solution and dry with a soft cloth. Avoid contact with corrosive substances (road salt, sea water, etc.) and must not be stored in a humid environment.

Unpacking and scope

Do not use sharp objects for opening or for removing any parts. You could inadvertently damage parts of the tricycle.

- Remove all parts from the tricycle.
- Remove the protective film from the parts.
- Check the delivery for completeness and integrity. Should parts be missing, contact your specialist dealer for further work.

Maintenance and care

Check all parts every half year for possible wear (more often in the case of more intense use) and also the correctness of the screw connections. Self-tightening nuts are hard to loosen and must be replaced after complete disassembly!

In order to maintain the high, design-specified safety levels, all worn or defective parts are to be immediately replaced by original PUKY spare parts. For safety reasons, the vehicle should not be used until it has been repaired. Bent or deformed parts should not be repaired but instead should be replaced.

Parts subject to wear: Wheels, crank bearing.

The tricycle must not be cleaned using a high-pressure cleaner. Clean the tricycle using a mild soapy solution and carefully wipe dry using a soft cloth. Avoid the tricycle coming into contact with corrosion-promoting materials (road salt, sea water, fertiliser). The tricycle must not be stored in a damp room.

Unpacking and scope of delivery

Do not use sharp objects to open the packaging or for removing any protective materials. You could inadvertently scratch the paintwork or damage parts of the tricycle.

- Remove all parts from the packaging.
- Remove the protective materials.
- Check the delivery for completeness and integrity. Should parts be missing, please contact your specialist dealer before beginning any further work.

The delivery comprises of (Figure A):

1. Frame
2. Fork incl. front wheel and pedal crank
3. Seat
4. Rear axle
5. Screw to fasten the seat (plastic bag)

Assembly

The assembly instructions are contained on the last pages of these instructions.

The following tools are required for assembly (Figure B):

1. Spanner 10 mm
2. Allen key 5 mm

Small parts which are required during assembly (e.g. screws and washers) must be kept out of the reach of small children. There is a danger of suffocation as a result of swallowing the parts. Also keep all packaging materials away from children.

In order to prevent accidents or injuries occurring later, the assembly must be carried out very carefully by an adult. Take sufficient time to do this. Several assembly steps require manual skill and practise in handling tools (e.g. spanner). If you are unsure, then please contact your specialist dealer or a workshop.

Play tricycle

At several points it is necessary to tighten screws with a certain force. This force is given in Newton meters (e.g. 2 Nm). If a screw is not tightened with sufficient force, then the connection will possibly still be too loose and unsafe. If the force is too great, then screws and other parts may be damaged and destroyed.

Figure 1: Insert rear axle into the frame.
Align the square nut to the rear.

Figure 2: Insert screws and tighten.

Figure 3: Remove the rubber band and take off one of the two washers.

Figure 4: Slide the steering tube with bearing shells all the way onto the fork shaft. Place the washer back on and align the lug of the fork shaft to the rear.

Figure 5: Slide the handlebar all the way onto the fork shaft. Tighten the screw. Align the slot in the handlebar to the rear. Firmly press down the cap until it snaps into position.

Figure 6: Slide the seat onto the frame from the rear and screw tight.

Operation

Figure 7: Adjusting the seat position

Figure 8: State ready for use.

Inleiding

Hartelijk gefeliciteerd met de aankoop van deze PUKY-kwaliteitsproducten. Het geeft u veel plezier.

Deze handleiding beschrijft de veilige werking van deze handleiding. De naam door de afbeelding. Lieve u bij vragen of richtingen of gebreken contact: www.puky.nl

Verantwoordelijkheid

Bij een reglementaire controle zijn gevaren bij het gebruik van deze ruime mate van veiligheid. Het is de taak van de ouders en het kind om de veiligheid te kunnen opduiken. Vanwege de veiligheid.

Maak kinderen niet betrokken tot het gebruik van het voertuig.

Houd hen onder toezicht en aandacht op het gebruik.

Geschiktheid

De driewieler is geschikt voor de beveiligde speelplaats. Het voorbeeld speelplaats voldoet niet aan de veiligheidseisen met betrekking tot het gebruik. Het gebruik van het voertuig bedraagt maximaal 10 minuten.

Händlerhinweis:
Diese Anleitung **unbedingt**
dem Kunden aushändigen!

Bedienungsanleitung

Spieldreirad

GB User Manual

NL Gebruiksaanwijzing

FR Mode d'emploi

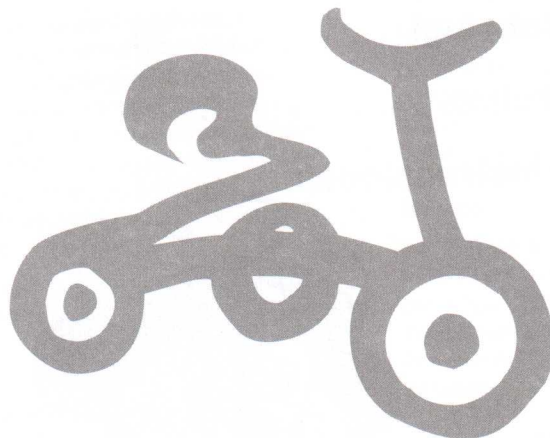
DK Betjeningsvejledning

I Istruzioni per l'uso

PL Instrukcja obsługi

CZ Návod k obsluze

ES Manual de
instrucciones



**Bitte vor Inbetriebnahme des Dreirades
sorgfältig lesen und unbedingt zur weiteren
Nutzung aufbewahren!**

Please read carefully before using the tricycle
for the first time and keep in a safe place for
future reference!

S.v.p. aandachtig lezen voordat de driewieler in
gebruik wordt genomen en voor verder gebruik
opbergen!

A lire attentivement avant toute mise en service
du Go-Cart et garder pour l'utilisation ultérieure!

Før Go-Cart tages i brug første gang læses
brugsanvisningen omhyggeligt og opbevares til
senere brug!

Per favore, leggete questo manuale prima di
utilizzare il triciclo e archiviatelo per l'utilizzo
futuro!

Prosimy przeczytaj instrukcję przed
użytkowaniem rowerka trójkołowego po raz
pierwszy i zatrzymaj instrukcję na przyszłość.

Prosim, pozorne si prectete tento manuál pred
prvním použitím této trojkolky. Uchovejte tento
manuál na bezpečném místě pro možnou
budoucí potřebu.

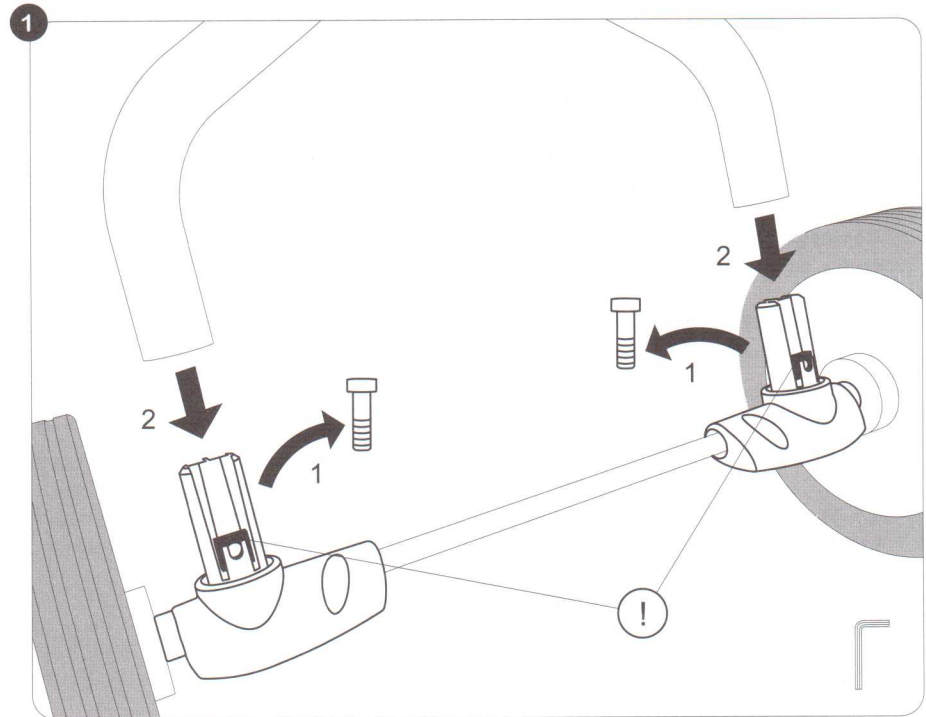
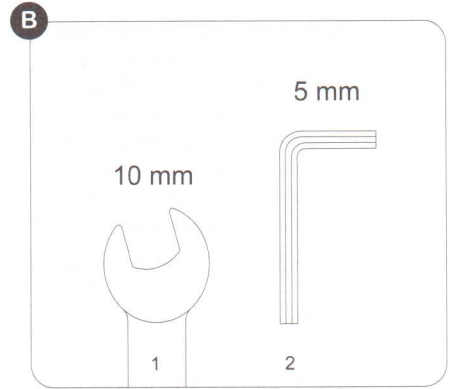
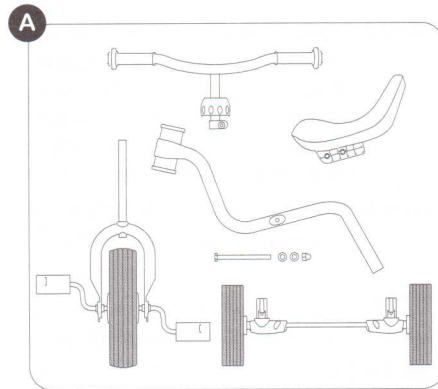
Indicación para el distribuidor:
¡Debe entregarse este manual sin falta al
cliente!



Montage

Assembly
Montage
Assemblée
Montering

Assemblaggio
Montaż
Montáž
Montaje



Montage

Assembly
Montage
Assemblée
Montering

Assemblaggio
Montaż
Montáž
Montaje

